



EZ-100 Easy Mount Bracket Assembly

Use with M-Series Speed Switches or 907XP and 917A Series Speed Sensors

- New and retrofit installations
- Straightforward installation (drill and tap)
- No additional brackets or hardware needed
- Heavy-duty, long-life sealed bearing
- Assembly moves with the shaft, compensating for typical shaft movement and vibration
- Rated up to 300 RPM

Product Information

Operating Principle and Description

The EZ-100 makes speed monitoring easier and more cost-effective. This bracket assembly includes a heavy-duty, long-life sealed bearing, a stainless steel shaft, a painted aluminum bracket, and comes with all other necessary hardware for installation.

Simply drill and tap the shaft end for a 1/2" - 13 thread, and turn the EZ-100 bracket assembly onto the shaft. The EZ-100 allows a Speed Switch or Speed Sensor to be mounted quickly and easily, and is compatible with Electro-Sensors' explosionproof 907 and 917A Series Speed Sensors and M-Series Speed Switches. The Sensor or Speed Switch easily mounts to the EZ-100 bracket assembly with the supplied U-bolt.

Mounting

Mount the Speed Switch or Speed Sensor to the EZ-100 bracket assembly. Put the sensing extension of the housing between the concave edge of the bracket and the provided U-bolt. Place the open ends of the U-bolt through the holes on the bracket and tighten the lock nuts firmly. *The gap between the Pulser Disc and sensing face should be approximately 1/4". See drawing on reverse side for reference.*

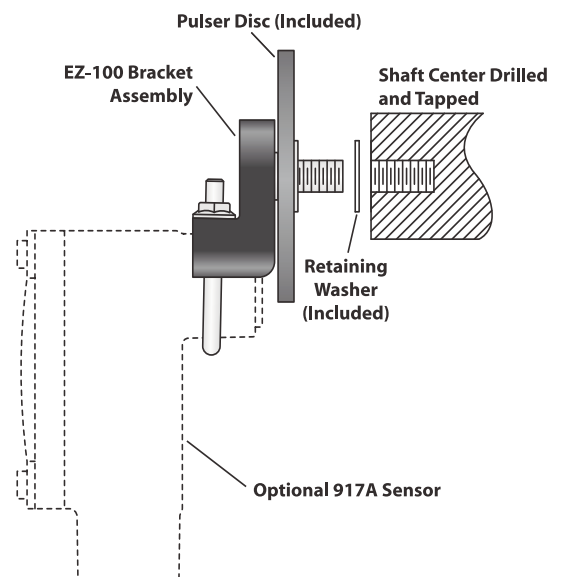
Installation

Center-drill the end of the shaft with a 27/64" drill to a depth of approximately 1", then tap for a 1/2" - 13 UNC 2A thread to a depth of at least 3/4" full threads. After drilling and tapping the shaft, apply Loctite™ or a similar adhesive to the screw threads and screw the EZ-100 bracket assembly securely onto the end of the shaft. Torque the mounting shaft firmly (7 foot-pounds max).

NOTE: Installing the EZ-100 bracket assembly on a shaft that is not center drilled and tapped accurately will greatly reduce the life of the system.

Electro-Sensors recommends using flexible conduit (XP if necessary) to secure the speed switch or sensor housing via the 1" NPT opening. Flexible conduit will allow the EZ-100 bracket assembly to move with the shaft, compensating for typical shaft movement and vibration, and avoid binding on the bearing.

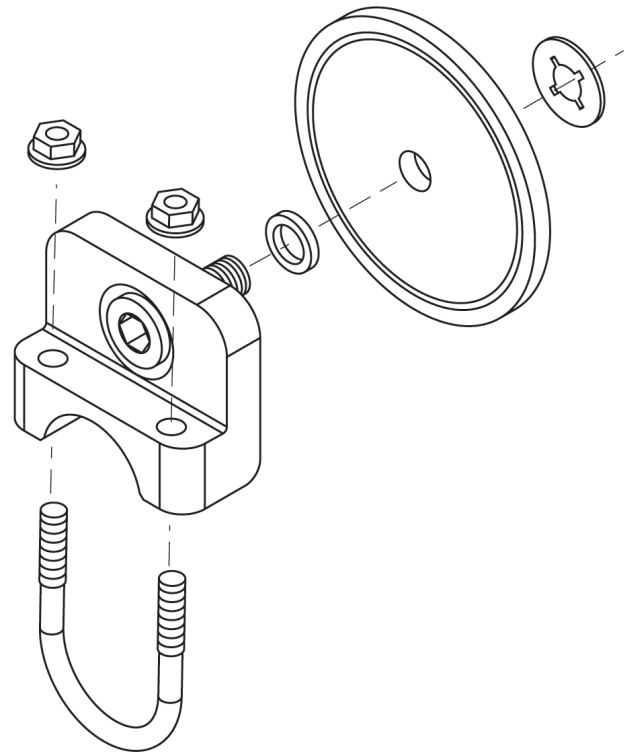
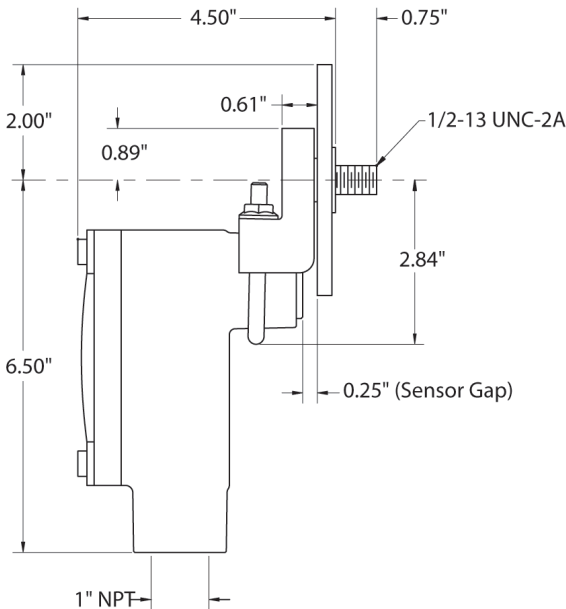
The EZ-100 is NOT recommended for use in environments where caustic chemicals will be used for wash-down of machinery. The EZ-100 is rated ONLY for use on shafts up to 300 RPM.



Dimensional Drawings • EZ-100

EZ-100 with 907XP, 907BH, 917A, M100, M5000

Exploded view of EZ-100 Bracket Assembly



* EZ-100 is also compatible with M100T, M5000T and SpeedTalker DN-XP

EZ-100 • General Specifications

Body

Material Aluminum (6061-T6)
Finish Black powder coat

Shaft

Material Stainless steel (303)
Thread size 1/2" - 13 UNC 2A
Hex wrench size 3/8"

Pulser Disc

Standard Model #255-EZ
Material Nylon 12 (Standard)
Optional materials Aluminum, PVC, stainless steel.
(Consult factory)
Pulses per revolution 8* (Standard)

Bearing

Type Radial, sealed (Designed for radial and thrust loads)

Operation

Maximum speed 300 rpm* at ambient temp.
Operating temperature -40° C to +60° C

Environment

The EZ-100 is NOT recommended for use where caustic chemicals will be used for wash-down of machinery.

Compatible Speed Switches and Sensors

	Stock Number
M100 Speed Switch.....	775-007700
M5000 Speed Switch	775-007800
907 Explosionproof sensor	775-000600
907BH Bi-Directional XP Sensor	775-006101
917A Explosionproof Sensor	775-000811
M100T Speed Switch	Consult factory
M5000T Speed Switch	Consult factory
SpeedTalker DN-XP	800-001100

Spare Parts

	Stock Number
EZ-100 Bracket Assembly	
(Pulser disc/U-bolt included)	810-000001
255-EZ Pulser disc.....	700-000206

* Consult factory for information regarding other options.
Specifications subject to change without notice.

ES-100Rev F