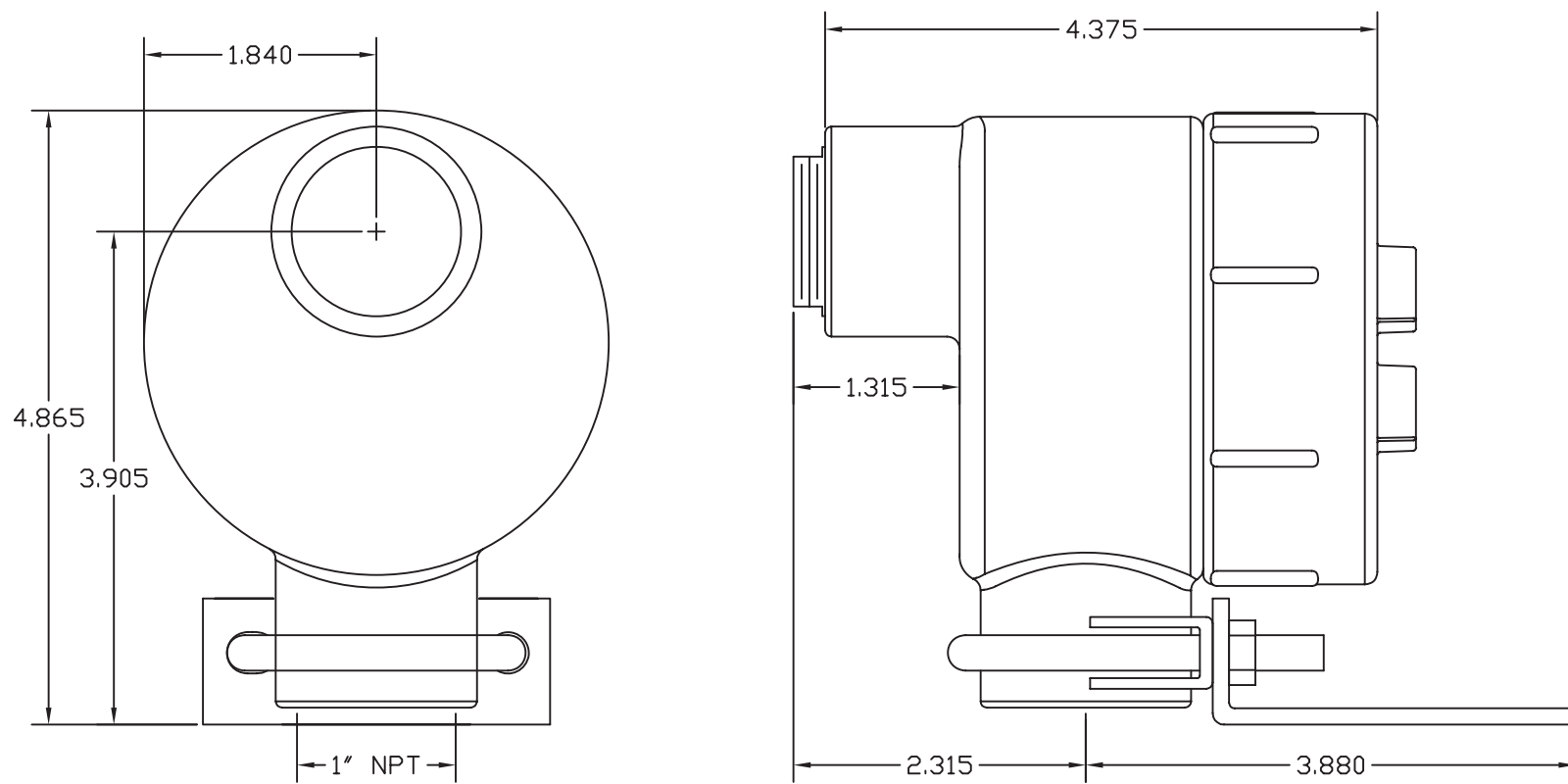
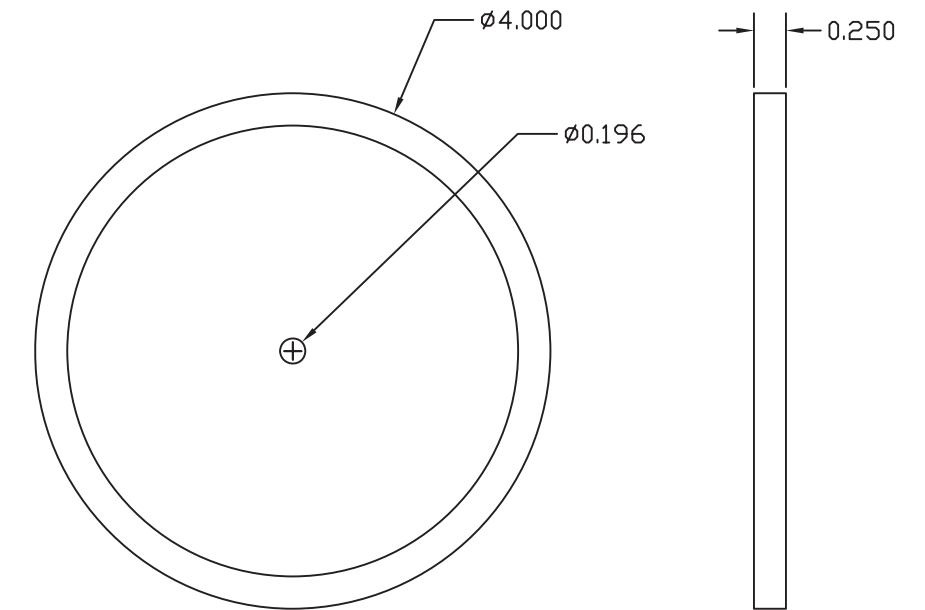


# SPEEDTALKER-DN (XP)

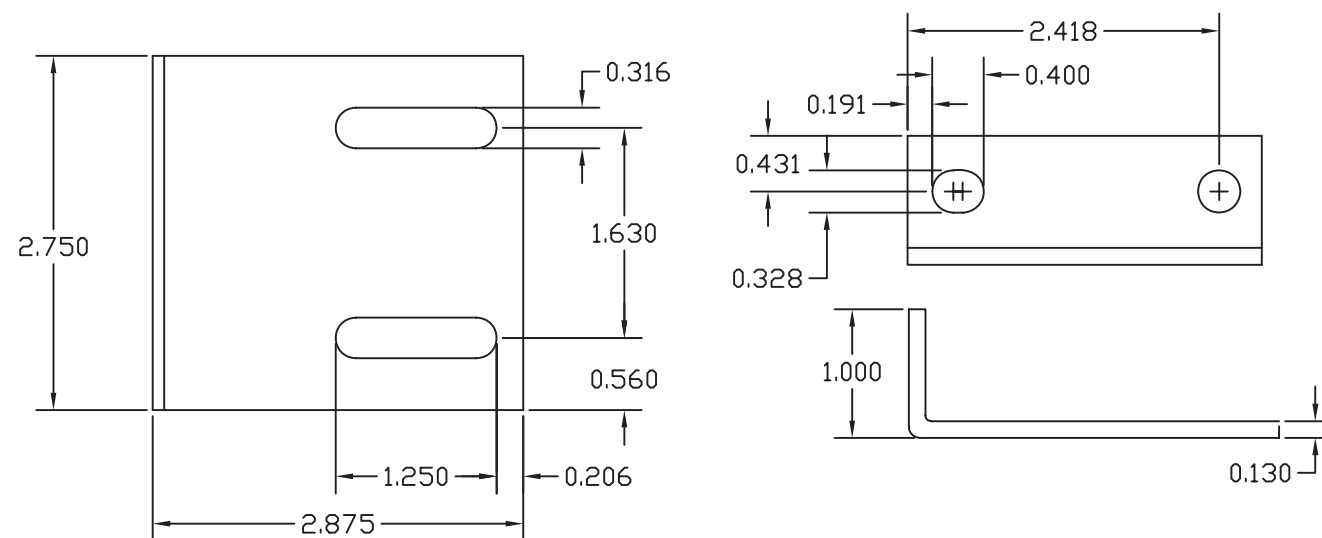
REVISIONS				
REV	ECD	DESCRIPTION	DATE	APPROVED



# 255 PULSER DISC



# XP MOUNTING BRACKET



THIS DOCUMENT IS THE PROPERTY OF ELECTRO-SENSORS, INC. AND CAN NOT BE DUPLICATED OR DISTRIBUTED WITHOUT THE WRITTEN CONSENT OF ELECTRO-SENSORS, INC.

TITLE			
SPEEDTALKER-DN (XP) SYSTEM COMPONENTS			
SCALE	SIZE	DWG. NO.	REV.
DO NOT SCALE DWG.	B	SHT. OF	OF