

Key Features

- Compact, self-contained system with sensor and switch
- Easy Installation and Calibration
- Dust, Dirt, and Greaseproof
- PVC corrosion-resistant NEMA 4X housing
- 115 VAC (50-60 Hz)
- Works with Electro-Sensors magnetic pulser discs / wraps
- 5-Year Limited warranty

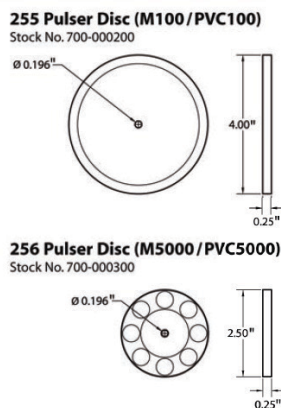


Description

PVC-Series Miniature Speed Switches are self-contained rotation monitoring systems that are ideal for detecting the unwanted slowdown of process equipment. These systems are commonly used to monitor drive trains, power-driven components, crushers, exhaust fans, screw conveyors, or tail pulleys on belt conveyors and elevators. The standard system includes a PVC-Series switch and a 255 Disc. Electro-Sensors' speed switches bring efficiency and safety to your operations by preventing machine damage, product waste, and costly down time. The PVC series switches are made for environments with corrosive surroundings. The PVC series switches are able to operate in these environments much more effectively than a metal housing sensor.

Sensor Gap Flexibility

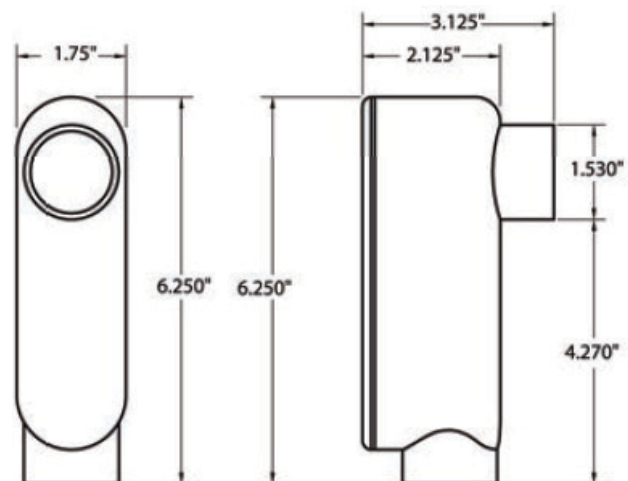
You only need a ruler to position our sensing heads (with our competitors you need a feeler gauge). Compare our sensor tolerances to competitors before you purchase and install an inflexible rotational pickup device.



Principle of Operation

PVC Speed Switches contain a sensor and switching electronics in a chemical/corrosion resistant housing. Each switch works with a shaft-end mounted Pulser Disc (or optional split collar Pulser Wrap) which generates an alternating magnetic field that is picked up by the speed switch. The switch decodes this frequency signal to determine shaft speed and compares this to the pre-adjusted set point, easily calibrated via a single-turn potentiometer. In the event of rotational failure, such as a broken drive, belt slippage, product overloads or clogs, the relay can be used to provide an alarm or equipment shutdown, ensuring machine protection and process integrity. The PVC100/5000 is fail-safe; any malfunction during operation will de-energize the control circuit.

PVC100/5000 Dimensions





Reliable Products
Trustworthy People

PVC100 / PVC5000

Corrosion Resistant Shaft Speed Switch

M100T/M5000T Specifications

	PVC100	PVC5000
Integrated Sensor	✓	
Sensor Input Signal	Single	
Target Type	Magnetic	
Detection	Underspeed, Zero Speed	
Operating		
Input Power Options	115 VAC (60 Hz)	
Output	SPDT Form C, Isolated	
Relay Contact Rating	5 Amp @ 30 VDC or 230 VAC resistive	
Operating Temperature	-40° F to +140° F	
Sensing Head	Integral	
Electrical Connections	Terminal Block	
Number of Setpoints	1	
Setpoint Range (RPM)	5-100	100-5,000
Setpoint Accuracy	±0.5%	
Setpoint Adjustment	1-turn (270°) Potentiometer	
Housing		
Enclosure Mount	Conduit	
Material	Cast Aluminum	
Enclosure Rating	4X	

Specifications subject to change without notice.

Ordering

All models come with a standard bracket for mounting

Model Description	Part Number
PVC100, 115 VAC	775-007710
PVC5000, 115 VAC	775-007810

PVC100/PVC5000 Standard System

- Shaft Speed Pulse Generator
- PVC100/PVC5000 Speed Sensor

These are the most popular system components. Many other options are available.

System Options	Part Number
Standard 255 Nylon Pulser Disc, 4" Diameter, 16 Magnets (PVC100)	700-000200
256 Nylon Pulser Disc, 2.5" Diameter, 8 Magnets (PVC5000)	700-000300
Split Collar Pulser Wrap (PVC, Aluminum, Stainless Steel)	Custom (See Website)

Other Options	Part Number
EZ-100 Bracket Assembly	810-000001
MM-2.00 Mounting Magnet (must use EZ-100 Bracket Assembly)	810-000050
Standard Disc Guard	725-005300
EZ-Mount Disc Guard	725-005200
EZ-Mount Lower Disc Guard	725-005201

Customization

If one of our standard products does not meet your specifications, please call one of our applications specialists. Many of our products can be customized to fit specific needs.

Additional Information

See PVC100/PVC5000 Installation and Operating Manual for complete details, specifications, and programming instructions.

