



# WE CAN SENSE IT



Electro-Sensors has been supplying **MACHINE MONITORING SENSORS** and **HAZARD MONITORING SYSTEMS** to industrial customers worldwide for 45 years and counting. We stand the test of time with rugged products engineered to last in your most demanding and hazardous applications.

## Introduction

Welcome and thank you for your interest in Electro-Sensors, Inc. We are honored to be your trusted partner for machine monitoring sensors and hazard monitoring systems. When it comes to monitoring your most critical production processes, your business relies on accurate and real-time information to ensure the safety of employees and protection of equipment. We understand that unexpected downtime is stressful and expensive. Preventive and predictive maintenance based on feedback gathered from your production processes can greatly reduce the chance that a catastrophic breakdown will occur. Using Electro-Sensors products provides you the confidence to know that your equipment is running properly and within safe limits, and that any deviation will be quickly identified and neutralized.

Electro-Sensors is ready to help you streamline your processes by offering a wide variety of standard products along with the ability to quickly turnaround customized and specially requested items. Along with this catalog, you can find more information about us and our products by visiting [electro-sensors.com](http://electro-sensors.com). We are here to answer your questions by email [sales@electro-sensors.com](mailto:sales@electro-sensors.com) or by phone 1-800-328-6170. Thank you again for choosing Electro-Sensors.

David Klenk  
CEO/CFO

- Rugged, Reliable Industrial-Duty Products
- Improve Processes by:
  - Safeguarding Systems
  - Reducing Downtime
  - Preventing Waste
- Straightforward Product Installation and Calibration
- 5-Year Limited Warranty on Most Products
- Top Notch Customer Service and Technical Support
- 45 Years of Industry Experience
- Customized Product Solutions to Fit Your Needs
- ISO9001:2008 Quality Certified
- Most Standard Products Ship within 2 Days



<a href="#"><u>Industries Served &amp; Product Applications</u></a> .....	4-5
The Electro-Sensors Advantage .....	6
The Basics of Magnetic Speed Sensing .....	6
Shaft Speed Sensor Flexibility .....	6
Common Shaft Speed Sensor Installations .....	6
<a href="#"><u>Shaft Speed Switches</u></a> .....	7-11
Choosing the Right Speed Switch .....	7
Easy Mounting & Protection Options .....	7
2-Piece System Speed Switches .....	8-9
3-Piece System Speed Switches .....	9-10
Shaft Speed Switch Selector Guide .....	11
<a href="#"><u>Shaft Speed Sensors</u></a> .....	12-15
18mm Stainless Steel Shaft Speed Sensors .....	14
Shaft Speed Sensor Selector Guide .....	15
<a href="#"><u>EZ Mounting Brackets, EZ Mounting Magnets &amp; Disc Guards</u></a> .....	16
<a href="#"><u>Shaft Speed Pulse Generators</u></a> .....	17
<a href="#"><u>Temperature Sensors</u></a> .....	18-19
Temperature Sensor Selector Guide .....	19
<a href="#"><u>Hazard Monitors</u></a> .....	20
Hazard Monitoring on a Bucket Elevator .....	20
<a href="#"><u>Conveyor Belt Alignment Products</u></a> .....	21
<a href="#"><u>Slide Gate, Valve &amp; Angle Position Sensors</u></a> .....	22-23
<a href="#"><u>Signal Conditioners &amp; Interface</u></a> .....	24
<a href="#"><u>Tachometers, Counters &amp; Displays</u></a> .....	25-26
<a href="#"><u>Vibration Monitors</u></a> .....	27
<a href="#"><u>Tilt Switches</u></a> .....	27
<a href="#"><u>Motor Drive Controllers</u></a> .....	27



Authorized distributor of Motrona products

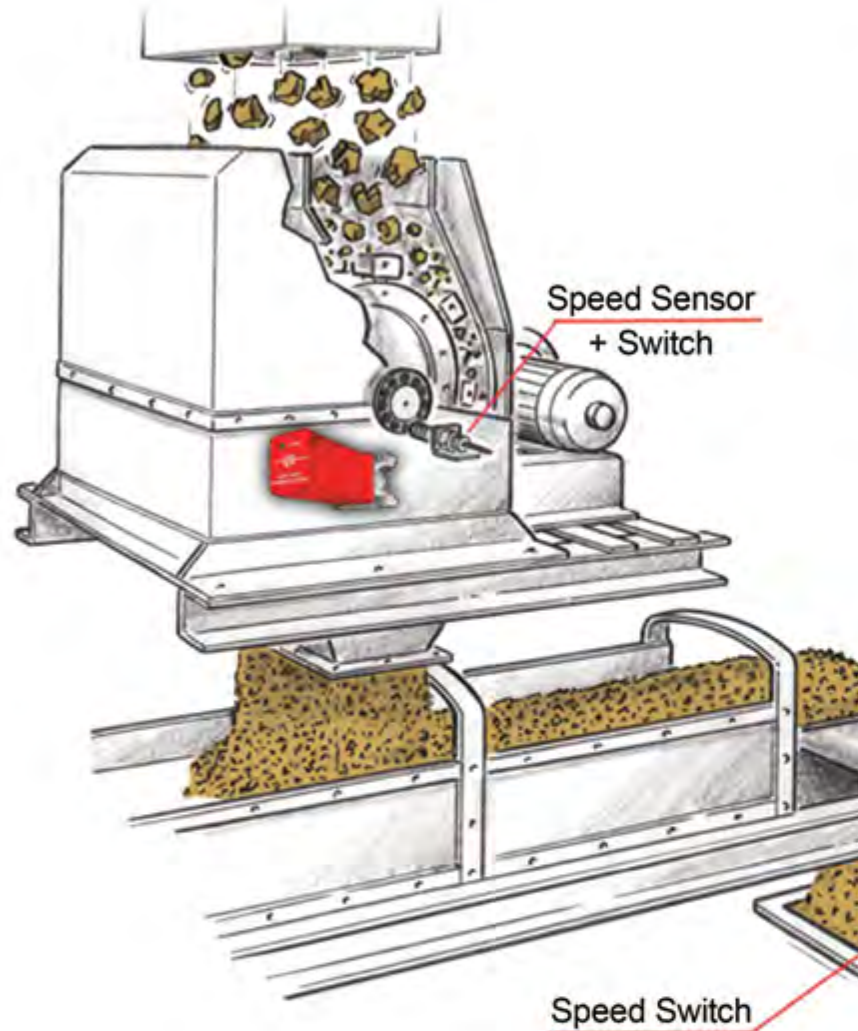


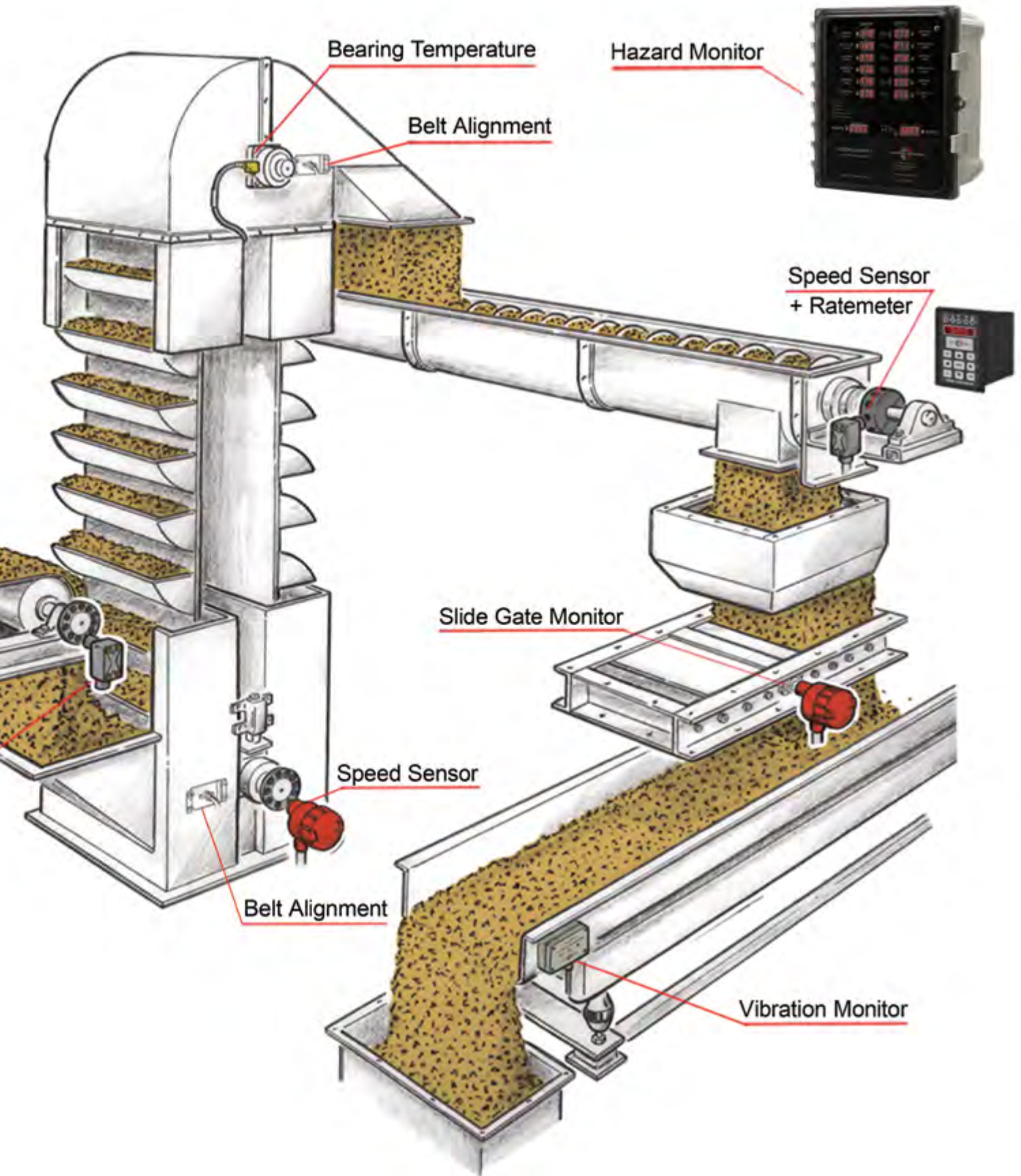
## Industries Served

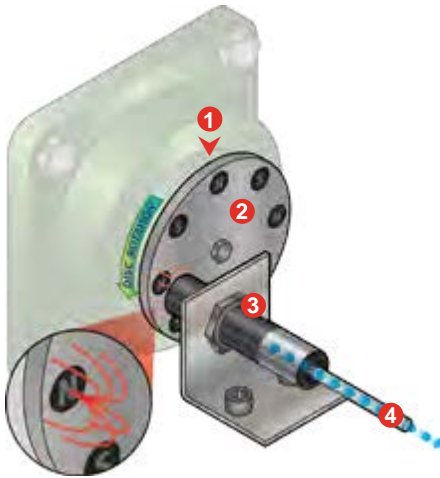
- Grain, Feed & Milling
- Ethanol Processing
- Biofuels Processing
- Wastewater Processing
- General Manufacturing
- Bulk Materials Handling
- Mining
- Packaging
- Water Utilities
- Food Processing
- Power Generation
- Textile Production

## Applications

- Belt Conveyors
- Screw Conveyors
- Vibratory Conveyors
- Slide Gates/Valves
- Bucket Elevators
- Fans/Blowers
- Pumps
- Hammermills
- Turbines
- Rotary Airlocks
- Dryers
- Crushers





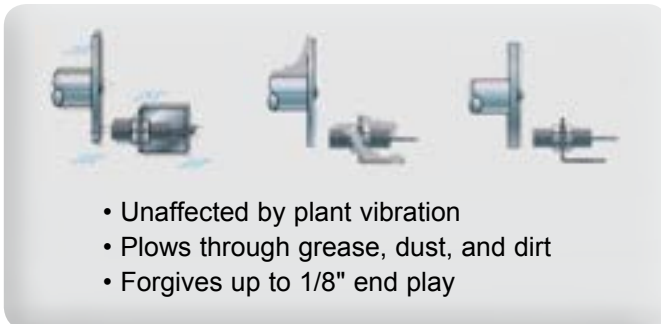


## The Basic Principle of Electro-Sensors Magnetic, Rotating Shaft Speed Sensing

- ① Shaft for rotating machinery (conveyor, bucket elevator, pumps, hammermill, etc.)
- ② Shaft-mounted magnetic pulser (disc shown)
- ③ Magnetic shaft speed sensor
- ④ Sensor output to PLC, meter, or data acquisition system

## Shaft Speed Sensor Flexibility

Flexibility is one of the reasons plant maintenance professionals choose our speed monitoring sensors and shaft speed switches. For example, you only need a ruler to position our sensing heads (with our competitors' you need a feeler gauge). Compare our sensor tolerances to the tolerances of our competitors before you purchase and install an inflexible rotational pick-up device.



## Common Installations

### Pulser Disc and Speed Sensor

- End-of-shaft mounted pulser disc
- Wide range of pulses per revolution (PPR) available

### Pulser Wrap and Speed Sensor

- Pulser wrap option ideal for when shaft end is not accessible
- Pulser wraps are custom made (material, number of pulses per revolution, shaft diameter, wrap width) and work with shaft speed sensors

### Common to Both Wrap and Disc Installations

- Large gap, non-contact sensing
- Explosion proof, dust ignition-proof, and intrinsically safe sensors available



## Choosing the Right Speed Switch System

Electro-Sensors offers shaft speed switches that indicate shaft over-speed, under-speed, zero speed, and reverse rotation. 5-year limited warranty on all speed switches and sensors.

Many applications are more suited to having the switch electronics and sensor right at the monitoring point (a 2-piece system) – that way everything is calibrated right there. Other applications require the switch to be remotely mounted from the sensor and disc/wrap (a 3-piece system).

Space limitations, environmental considerations, and personal preference all play a part in determining the speed switch system required. We will help you figure out what you need before installation begins, it will save you time and money in the long run.

### 2-Piece Speed Switch Systems Include

- Shaft speed switch with internal sensor
- Rotating target (typically a pulser disc or a split collar pulser wrap)



Switch + Pulser Disc



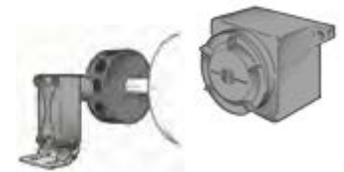
Switch + Pulser Wrap

### 3-Piece Speed Switch Systems Include

- Shaft speed switch
- External sensor with pulse frequency output
- Rotating target (typically a pulser disc or a split collar pulser wrap)



Switch + Sensor + Pulser Disc



Switch + XP Sensor + Pulser Wrap

## Speed Switch EZ Mounting Options and Disc Protection Example



## 2-Piece System Shaft Speed Switches (Internal Sensor)

### M100T / M5000T Shaft Speed Switch



- Internal sensor
- SPDT relay output
- 5-100 rpm (M100T), 100-5,000 rpm (M5000T) under-speed setting
- Terminal block for easy wiring
- 115, 230 VAC (50-60 Hz) and 12, 24 VDC power options
- Works with Electro-Sensors magnetic pulser discs / wraps
- Optional EZ-100 mounting bracket and mounting magnet available
- Cast aluminum explosion proof (XP) housing
- UL Listed Class I, Div I (C, D) Class II, Div I (E, F, G)

### FB420 4-20 mA Shaft Speed Sensor with Relay



- Internal sensor
- 4-20 mA analog speed output
- SPDT relay output
- User-configurable operating range within 0-9,999 rpm
- Setpoint can be set for over-speed or under-speed
- Internal LCD for programming and troubleshooting
- 24 VDC powered; terminal blocks for easy wiring
- Works with Electro-Sensors magnetic pulser discs / wraps
- Optional EZ-100 mounting bracket and mounting magnet available
- Cast aluminum explosion proof (XP) housing
- UL Listed Class I, Div I (C, D) Class II, Div I (E, F, G)

### SCP1000 / SCP2000 Shaft Speed Switch



- Internal sensor
- Over-speed or under-speed configuration, 1-990 rpm
- 1 DPDT relay output (SCP1000), 2 SPDT relay outputs (SCP2000)
- Visual setpoint adjustment with digital accuracy
- Built-in start delay
- Dial-in calibration does not require power
- 115, 230 VAC (50-60 Hz) and 12, 24 VDC power options
- Works with Electro-Sensors magnetic pulser discs / wraps
- Optional EZ-SCP mounting bracket and mounting magnet available
- Cast aluminum explosion proof (XP) housing
- UL Listed Class I, Div I (C, D) Class II, Div I (E, F, G)





### PVC100 / PVC5000 Shaft Speed Switch

- Internal sensor
- SPDT relay output
- Under-speed setpoint adjustable from 10-100 rpm (PVC100) or 100-5,000 rpm (PVC5000)
- 115 VAC (50-60 Hz) only
- Works with Electro-Sensors magnetic pulser discs / wraps
- Corrosion-resistant PVC plastic housing



### M100 / M5000 Shaft Speed Switch (recommended for replacement only. For new installs, see M100T / M5000T)

- Internal sensor
- SPDT relay output
- Under-speed setpoint adjustable from 10-100 rpm (M100) or 100-5,000 rpm (M5000)
- 115 VAC (50-60 Hz) only
- Works with Electro-Sensors magnetic pulser discs / wraps
- Optional EZ-100 mounting bracket and mounting magnet available
- Compact, cast aluminum explosion proof (XP) housing
- UL Listed Class I, Div I (D) Class II, Div I (E, F, G) Class III

## 3-Piece System Shaft Speed Switches



### DR1000 Shaft Speed Switch

- Works with remote / external pulse frequency output sensor (NPN, PNP, or mag pick-up)
- DPDT relay output
- Under-speed setpoint adjustment from 0.5-5,000 rpm (at 8 PPR)
- Terminal blocks for easy wiring
- 115, 230 VAC (50-60 Hz) and 12, 24 VDC power options
- Rugged explosion proof / NEMA 4X housing
- UL Listed Class I, Div I (C, D) Class II, Div I (E, F, G)



### UDS1000 Reverse Rotation Shaft Speed Switch

- Works with remote / external bidirectional (quadrature) pulse frequency output sensor / incremental encoder (NPN)
- DPDT relay changes state when shaft direction reverses
- Reverse-over-speed setpoint adjustment from 0.5-5,000 rpm
- Relay resets when reverse motion stops
- Terminal blocks for easy wiring
- 115, 230 VAC (50-60 Hz) and 12, 24 VDC power options
- Rugged explosion proof / NEMA 4X housing
- UL Listed Class I, Div I (C, D) Class II, Div I (E, F, G)

### SS110 Shaft Speed Switch (Slow Speed)



- Works with remote / external pulse frequency output sensor (NPN, PNP)
- Over-speed / under-speed setpoint ranges: 0.01-0.99 and 0.1-9.9 rpm
- SPDT relay output
- Monitors extremely slow speeds; down to 100 minutes per revolution
- Dial-in calibration does not require power
- Built-in start delay
- DIN rail mounting simplifies installation
- 115, 230 VAC (50-60 Hz) and 12, 24 VDC power options
- Optional explosion proof enclosure
- Optional NEMA 4, NEMA 4X, or NEMA 12 enclosure kit



◀ Optional Explosion Proof Enclosure

### LRB1000 / LRB2000 Shaft Speed Switch



- Works with remote / external pulse frequency output sensor (NPN, PNP)
- Over-speed or under-speed configuration, 1-1,000 rpm
- 1 SPDT relay output (LRB1000) or 2 SPDT relay outputs (LRB2000)
- Visual setpoint adjustment with digital accuracy
- Dial-in calibration does not require power
- Built-in start delay
- DIN rail mounting simplifies installation
- 115, 230 VAC (50-60 Hz) and 12, 24 VDC power options
- Optional explosion proof enclosure
- Optional NEMA 4, NEMA 4X, or NEMA 12 enclosure kit



◀ Optional NEMA 4X Enclosure Kit

### DMS100 / DMS5000 Shaft Speed Switch



- Works with remote / external pulse frequency output sensor (NPN, PNP, mag pick-up, and TTL)
- Over-speed or under-speed configuration
- 5-100 rpm (DMS100) with 8 PPR input
- 100-5,000 rpm (DMS5000) with 4 PPR input
- 2 SPDT relay outputs
- DIN rail mounting simplifies installation
- 115, 230 VAC (50-60 Hz) and 12, 24 VDC power options

# Shaft Speed Switch Selector Guide

**DMS100/DMS5000**

**DR1000**

**FB420**

**LRB1000/LRB2000**

**M100/M5000**  
(replace w/M100T/5000T)

**PVC100/PVC5000**

**M100T/M5000T**

**SCP1000/SCP2000**

**SS110**

**UDS1000**

Sensor										
Input Signal <sup>(1)</sup>	S	S	S	S	S	S	S	S	S	Q
Input Signal <sup>(2)</sup> Termination	N, P	N, P	I	N	I	I	I	I	N	N
Operating										
Setpoints	2	1	1	1 or 2	1	1	1	1 or 2	1	1
Setpoint Range (rpm) w/Standard 255 Disc	5-100/ 100-5,000	0.5-5,000	0.75- 9,999	1-99/ 10-990	10-100/ 100-5,000	10-100/ 100-5,000	5-100/ 100-5,000	1-99/ 10-990	0.01-0.99 0.1-9.9	0.5-5,000
Setpoint Calibration	Analog	Analog	Digital	Digital	Analog	Analog	Analog	Digital	Digital	Analog
Setpoint Adjustments <sup>(3)</sup>	25TP	1TP 25TP	D	R	1TP 25TP	1TP 25TP	1TP 25TP	R	R	1TP 25TP
Over-speed	✓		✓	✓				✓	✓	✓
Under-speed	✓	✓	✓	✓	✓	✓	✓	✓	✓	
Zero Speed	✓	✓	✓	✓	✓	✓	✓	✓	✓	✓
Reverse Detection										✓
Failsafe	✓	✓	✓	✓	✓	✓	✓	✓	✓	✓
Start Delay				✓				✓	✓	
Operating Temp. (°C)	0 to +50	-40 to +60	-40 to +60	-40 to +60	-40 to +60	-40 to +60	-40 to +60	-40 to +65	-40 to +60	-40 to +60
Output										
4-20 mA			✓							
DPDT Form C		1						1-SCP1000		1
SPDT Form C	2		1	1 or 2	1	1	1	2-SCP2000	1	
Input Power										
12 VDC	✓	✓		✓			✓	✓	✓	✓
24 VDC	✓	✓	✓	✓			✓	✓	✓	✓
115 VAC	✓	✓		✓	✓	✓	✓	✓	✓	✓
230 VAC	✓	✓		✓			✓	✓	✓	✓
Housing										
Mounting <sup>(4)</sup>	D	E	C	D	C	C	C	C	D	E
Material <sup>(5)</sup>	P	CAL	CAL	P	CAL	PVC	CAL	CAL	P	CAL
Explosion Proof		✓	✓		✓		✓	✓		✓
EZ Mount Option			✓		✓		✓	✓		

**(1)**  
S Single  
Q Quadrature

**(2)**  
N NPN Open-Collector Output  
P PNP Open-Collector Output  
I Internal Sensor

**(3)**  
D Digital  
R Rotary Switches  
1TP 1-Turn Potentiometer  
25TP 25-Turn Potentiometer

**(4)**  
E Enclosure  
C Conduit/Bracket  
D DIN Rail

**(5)**  
CAL Cast Aluminum  
P Plastic  
PVC PVC



## Shaft Speed Sensors for Virtually any Environment

Electro-Sensors Hall effect and magnetoresistive shaft speed sensors sense magnetic targets and work with our magnetic pulsers (discs, wraps, magnet wheels). Our proximity sensors and gear tooth sensor sense ferrous metal targets, including bolt-heads, screws, gear-teeth, and keyways. Our standard aluminum body sensors will work in most applications, but we also have explosion proof, intrinsically safe, and dust ignition-proof sensors for harsh environments.



906 907 XP

### 906 / 907 XP Shaft Speed Sensors - Hall Effect

- Square-wave pulse frequency output, NPN open-collector
- Zero speed operation with no signal loss
- 5-24 VDC powered
- 1" NPT conduit port (907 XP)
- Non-contact, large gap distance sensing
- Bidirectional (quadrature) options available (906B, 907B XP)
- Works with Electro-Sensors magnetic pulser discs / wraps
- **906** – Optional EZ-3/4in mounting bracket and mounting magnet available
- **907 XP** – UL Listed Class I, Div I (D) Class II, Div I (E, F, G) Class III
- **907 XP** – Optional EZ-100 mounting bracket and mounting magnet available



1101 931 XP

### 1101 / 931 XP Shaft Speed Sensors - Hall Effect

- Square-wave pulse frequency output, NPN open-collector
- Zero speed operation with no signal loss
- 5-24 VDC powered
- 1/2" NPT conduit port (931 XP)
- Non-contact, large gap distance sensing
- Works with Electro-Sensors magnetic pulser discs / wraps
- **931 XP** – UL Listed Class I, Div I (C, D) Class II, Div I (E, F, G) Class III

### 1102 / 932 / 933 XP Shaft Speed Sensors - Magnetoresistive



1102 933 XP 932

- Square-wave pulse frequency output, NPN open-collector
- Zero speed operation with no signal loss
- 5-24 VDC powered
- 1/2" NPT conduit port (933 XP)
- Non-contact, large gap distance sensing
- Works with Electro-Sensors magnetic pulser discs / wraps
- **1102** – non-threaded stainless steel
- **932** – aluminum with 3/4-16 UNF threads, optional EZ-3/4in mounting bracket and mounting magnet available
- **933 XP** – UL Listed Class I, Div I (C, D) Class II, Div I (E, F, G) Class III

### SpeedTalker-DN(BH) / DN(XP) with DeviceNet



- Measures shaft rpm and alarm states over DeviceNet
- 0-6,550 rpm; up to 4 programmable over / under-speed alarms
- Network powered
- Works with Electro-Sensors magnetic pulser discs / wraps
- ODVA conformance tested
- **DN(BH)** – Rugged NEMA 4X, IP67, stainless steel M18x1 housing with M12 DeviceNet micro-connector
- **DN(BH)** – Optional EZ-18mm mounting bracket and mounting magnet available
- **DN(XP)** – Optional EZ-100 mounting bracket and mounting magnet available
- **DN(XP)** – Cast aluminum explosion proof (XP) housing
- **DN(XP)** – UL Listed Class I, Div I (C, D) Class II, Div I (E, F, G)



### 916 / 917 XP Analog Shaft Speed Sensors

- 2-wire, sine wave output, clipped at  $\pm 20$  V level
- 1" NPT conduit port (917 XP)
- Non-contact, large gap distance sensing
- Works with Electro-Sensors magnetic pulser discs / wraps
- **916** – Optional EZ-3/4in mounting bracket and mounting magnet available
- **917 XP** – Optional EZ-100 mounting bracket and mounting magnet available

### HE950 Gear Tooth Sensor



- Square-wave pulse frequency output, NPN open-collector
- Zero speed operation with no signal loss
- 5-24 VDC powered
- Gap sensing capability up to 3 mm
- Senses broad range of ferrous targets (pulser discs / wraps with steel slugs, keyways, bolt heads, and gear teeth)

### 600 Series Proximity Sensors



- Square-wave pulse frequency output, NPN open-collector
- Zero speed operation with no signal loss
- 10-30 VDC powered
- 8 mm, 12 mm, 18 mm, 30 mm diameter sensors available
- Durable corrosion-resistant metal housings
- LED operation indicator on all models
- Senses broad range of ferrous targets (pulser discs / wraps with steel slugs, keyways, and bolt heads)
- Not recommended for high shaft speeds (Note: for output frequencies above 100 Hz, contact Electro-Sensors.)

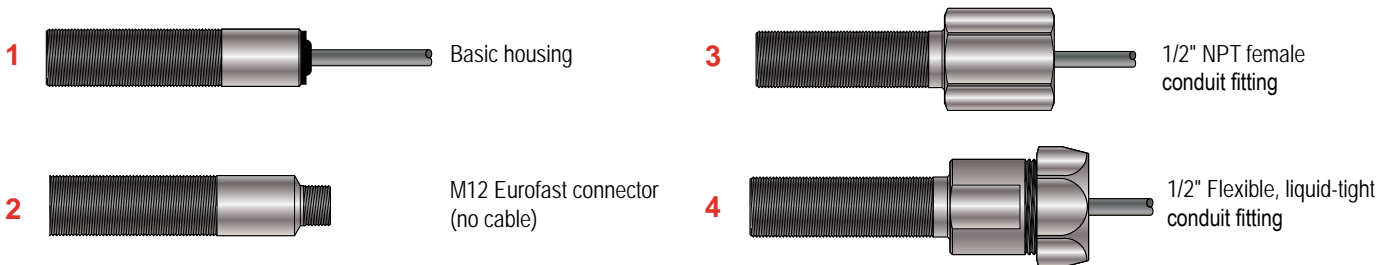
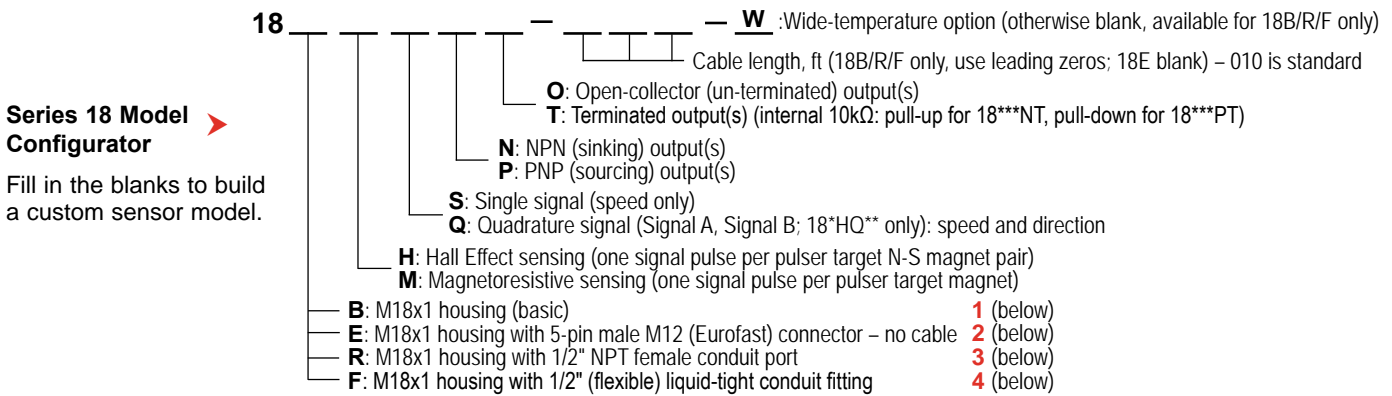
## 18mm (M18x1) Stainless Steel Shaft Speed Sensors

(4-20 mA Analog and Pulse Frequency Output) All work with magnetic pulsers (disc or wrap) and optional EZ-18mm mounting bracket / magnet

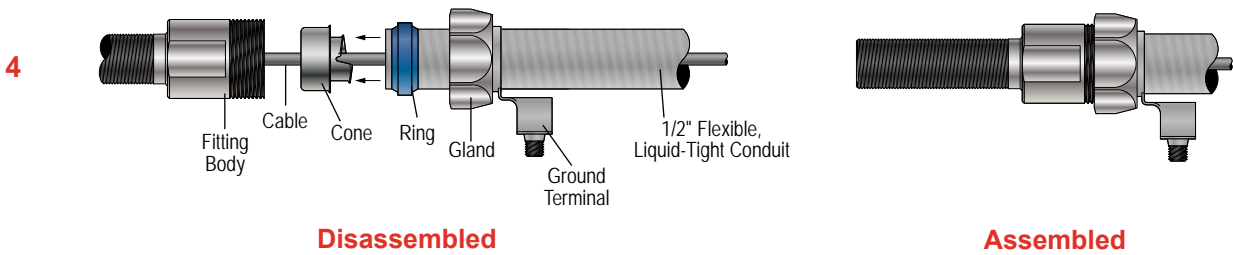
### ST420/ST420-LT/ST420-DI Shaft Speed Sensors (2-wire 4-20 mA, loop-powered, 8-30 VDC)

- No user calibration – works right out of the box
- Available in standard and custom-specified measurement ranges

### Series 18 Shaft Speed Sensors (Pulse frequency output down to zero speed, 10-26 VDC)



Models	Housing	Hazardous Location Approvals	IP/NEMA Rating	Operating Temperature
<b>ST420</b>	<b>1</b>	I.S. Class I and II (UL)		-20→80°C (-4→176°F)
<b>ST420-DI</b>	<b>3</b>	Dust Ignition-Proof, Class II (FM)	IP65/4X	-20→80°C (-4→176°F)
<b>ST420-LT</b>	<b>4</b>	Dust Ignition-Proof, Class II (FM)	IP65/4X	-20→80°C (-4→176°F)
<b>18B</b> _____	<b>1</b>	I.S. Class I and II (FM) - Pending		-20→80°C (-4→176°F) std, -40→100°C (-4→212°F) -W
<b>18E</b> _____	<b>2</b>	I.S. Class I and II (FM) - Pending		-30→80°C (-22→176°F)
<b>18R</b> _____	<b>3</b>	I.S. Class I and II (FM) - Pending	IP65/4X	-20→80°C (-4→176°F) std, -40→100°C (-4→212°F) -W
<b>18F</b> _____	<b>4</b>	I.S. Class I and II (FM) - Pending	IP65/4X	-20→80°C (-4→176°F) std, -40→100°C (-4→212°F) -W



## Shaft Speed Sensor Selector Guide

Sensor	Shaft Target	Sensing	Speed Signal Output		Housing			NRTL Haz-Loc Approvals
			Speed Signal	Output/Interface	Type	Conduit Port	Material	
<a href="#">ST420</a>	Magnetic Pulser	n/a	Analog	2-wire 4-20 mA	M18x1 mm	No	SS	IS, Class I, II (UL)
<a href="#">ST420-LT, -DI</a>	Magnetic Pulser	n/a	Analog	2-wire 4-20 mA	M18x1 mm	Yes	SS	DI, Class II (FM)
<a href="#">FB420</a>	Magnetic Pulser	n/a	Analog	3-wire 4-20 mA	XP	Yes	AL	Class I, II (UL)
<a href="#">SpeedTalker(XP)</a>	Magnetic Pulser	n/a	16-bit digital (network)	DeviceNet	XP	Yes	AL	Class I, II (UL)
<a href="#">SpeedTalker(BH)</a>	Magnetic Pulser	n/a	16-bit digital (network)	DeviceNet	M18x1 mm	No	SS	
<a href="#">Series 18</a>	Magnetic Pulser	Hall Effect or Magnetoresistive	Frequency - Single or Quadrature	PNP or NPN	M18x1 mm	Yes or No	SS	IS, Class I, II (FM pending)
<a href="#">906, 906 SS</a>	Magnetic Pulser	Hall Effect	Frequency - Single	NPN	3/4-16 (2.50 L)	No	AL or SS	
<a href="#">906B, 906B SS</a>	Magnetic Pulser	Hall Effect	Frequency - Quadrature	NPN	3/4-16 (2.50 L)	No	AL or SS	
<a href="#">907 XP</a>	Magnetic Pulser	Hall Effect	Frequency - Single	NPN	XP	Yes	AL	Class I, II (UL)
<a href="#">907B XP</a>	Magnetic Pulser	Hall Effect	Frequency - Quadrature	NPN	XP	Yes	AL	Class I, II (UL)
<a href="#">916</a>	Magnetic Pulser	Passive Coil	Frequency - Single	20 V lim coil	3/4-16 (2.50 L)	No	AL	
<a href="#">917 XP</a>	Magnetic Pulser	Passive Coil	Frequency - Single	20 V lim coil	XP	Yes	AL	
<a href="#">931 XP</a>	Magnetic Pulser	Hall Effect	Frequency - Single	NPN	XP	Yes	AL	Class I, II (UL)
<a href="#">932, 932 SS</a>	Magnetic Pulser	Magnetoresistive	Frequency - Single	NPN	3/4-16 (2.50 L)	No	AL or SS	
<a href="#">933 XP</a>	Magnetic Pulser	Magnetoresistive	Frequency - Single	NPN	XP	Yes	AL	Class I, II (UL)
<a href="#">HE950</a>	Gear Tooth	n/a	Frequency - Single	NPN	3/4-16 (2.50 L)	No	AL	
<a href="#">HE950-18</a>	Gear Tooth	n/a	Frequency - Single	NPN	M18x1 mm	No	SS	
<a href="#">1101</a>	Magnetic Pulser	Hall Effect	Frequency - Single	NPN	0.437 smooth (2.00 L)	No	SS	
<a href="#">1101-RK (ring kit)</a>	Magnetic Pulser	Hall Effect	Frequency - Single	NPN	0.437 smooth (3.75 L)	No	SS	
<a href="#">1102</a>	Magnetic Pulser	Magnetoresistive	Frequency - Single	NPN	0.437 smooth (2.00 L)	No	SS	
<a href="#">1102-RK (ring kit)</a>	Magnetic Pulser	Magnetoresistive	Frequency - Single	NPN	0.437 smooth (3.75 L)	No	SS	
<a href="#">1201</a>	Magnetic Pulser	Hall Effect	Frequency - Quadrature	NPN	0.437 smooth (3.75 L)	No	SS	
<a href="#">1202</a>	Magnetic Pulser	Hall Effect	Frequency - Quadrature	NPN	0.437 smooth (5.50 L)	No	SS	
<a href="#">608, 608-1 prox</a>	Ferrous Pulser	Prox (-1 shielded)	Frequency - Single	NPN	M8x1 mm (30 L)	No	Ni, Plastic	
<a href="#">612, 612-1 prox</a>	Ferrous Pulser	Prox (-1 shielded)	Frequency - Single	NPN	M12x1 mm (35 L)	No	Ni, Plastic	
<a href="#">618, 618-1 prox</a>	Ferrous Pulser	Prox (-1 shielded)	Frequency - Single	NPN	M18x1 mm (40 L)	No	Ni, Plastic	
<a href="#">630, 630-1 prox</a>	Ferrous Pulser	Prox (-1 shielded)	Frequency - Single	NPN	M30x1.5 mm (50 L)	No	Ni, Plastic	
<a href="#">380 Encoder</a>	n/a	n/a	Frequency - Single or Quadrature	NPN	0.375 shaft	No	AL	
<a href="#">470 Encoder</a>	n/a	n/a	Frequency - Quadrature with Z	NPN	0.375 shaft (HD)	No	AL	
<a href="#">DRK-56C, -143TC</a>	199SM Magwheel	1101/2 or 1101/2-RK	Frequency - Single	NPN	NEMA 56C,143TC	Yes	AL	
<a href="#">QDK-56C, -143TC</a>	199SM Magwheel	1201	Frequency - Quadrature	NPN	NEMA 56C,143TC	Yes	AL	
<a href="#">DRK-___TC</a>	199SM Magwheel	1101/2-RK	Frequency - Single	NPN	NEMA 182,213,254TC	Yes	AL	
<a href="#">QDRK-___TC</a>	199SM Magwheel	1202	Frequency - Quadrature	NPN	NEMA 182,213,254TC	Yes	AL	



EZ-100 +  
M100T



EZ-SCP +  
SCP1000



EZ-18mm +  
ST420-DI



MM-1.25 +  
EZ-3/4in + 906



MM-2.00 +  
EZ-100 + FB420



EZ-100 Disc  
Guards + M100T



\* Patented



### **EZ-100 and EZ-SCP Mounting Brackets\***

- EZ-100 and EZ-SCP mounting brackets simplify installation by direct attachment to a tapped shaft end
- EZ-255 pulser disc included with purchase (bore 0.515")
- No additional mounting hardware is required
- EZ-100 for use with the M100, M100T, FB420, 907 XP, 917 XP and SpeedTalker-DN(XP)
- EZ-SCP for use with SCP1000/SCP2000
- Rated for use up to 300 rpm



### **EZ-3/4in and EZ-18mm Mounting Brackets**

- Mount directly to the tapped shaft
- Can use with optional mounting magnet if shaft is not tapped
- Pulser disc is included within housing
- EZ-3/4in is for use with the 906 and 932 sensors\*\*
- EZ-18mm is for use with the Series 18, ST420, ST420-DI, ST420-LT, and SpeedTalker-DN(BH) sensors\*\*

\*\* Sensors sold separately



MM-1.25



MM-2.00

### **EZ Mounting Magnets**

- MUST be used with EZ mounting brackets
- MM-1.25 mounting magnet: use with EZ-3/4in and EZ-18mm  
Compatible with 906, 932, Series 18, ST420, ST420-DI, ST420-LT, and SpeedTalker-DN(BH)
- MM-2.00 mounting magnet: use with EZ-100 and EZ-SCP  
Compatible with M100, M100T, FB420, 907 XP, 917 XP  
SCP1000/SCP2000, and SpeedTalker-DN(XP)
- Easy installation, no drilling or tapping required



### **Stainless Steel Disc Guards**

- Protect pulser disc and sensing head
- Models include: standard, 931 XP/933 XP, EZ-100 (upper and lower), and EZ-SCP disc guards
- Protect against excessive dirt, grease, dust, or grime





### Shaft-End Mount Pulser Discs

Mount on the end of a rotating shaft and work with Electro-Sensors shaft speed sensors. Mounting requires center drilling and tapping the shaft for a 10-32 UNF machine screw (provided).

- Available with alternating magnetic poles or steel slugs
- Non-contact sensing across up to 0.5" gap
- Sensor must be positioned perpendicular to the disc
- Material options include nylon, PVC, aluminum, or stainless steel
- Custom sizes and number of pulses available
- Impervious to water, grease, dust, oil, dirt, etc.



### Split Collar Pulser Wraps

Clamp around a rotating shaft and work with Electro-Sensors shaft speed sensors. They are ideal for installations where the end of the shaft is inaccessible. The two halves fasten together around the shaft with recessed Allen head socket screws (provided). Custom models accommodate any shaft diameter, tight spaces, and keyways.

- Embedded magnets for standard sensors, or steel slugs for proximity sensors
- Non-contact sensing across up to 0.5" gap
- Sensor must be positioned radially to the wrap
- Standard wraps operate to 3,000 rpm (high-speed also available)
- Standard wraps available in PVC, aluminum, or stainless steel
- Impervious to water, grease, dust, oil, dirt, etc.



### Digital Ring Kits for NEMA C Frame Motors

- 60 pulses per revolution, high-speed
- Kits include mounting ring, hardware, sensor, and 199SM magnet wheel (pictured)
- Single-channel and bidirectional (quadrature) output options



### 380 and 470 Rotary Shaft Encoders

The 380 encoder is a standard encoder available with single channel or bidirectional (quadrature) output. The 470 heavy duty encoder provides a bidirectional (quadrature) output with an index pulse.



### Traction Wheel Encoder Assemblies

Complete and ready-to-install system converts linear travel/speeds to square-wave pulses/frequencies.



### TT420 Temperature Sensors with 4-20 mA Output

- 2-wire, loop-powered 4-20 mA analog output
- Attachment probe, sensor, and 2-wire 4-20 mA signal conditioner
- Compatible with PLCs, meters, and data acquisition systems
- No user calibration: works right out of the box
- **TT420Z** 1/4" stainless steel probe (often used with compression fitting)
- **TT420S** 1/4-28 threaded stud – screws into any 1/4-28 tap
- **TT420F** mounts onto any flat surface with a #10 machine screw
- UL Listed, Intrinsically Safe (IS)
- Class I, Div I (C, D) Class II, Div I (E, F, G)



### TT420-LT Temperature Sensors with 4-20 mA Output and Liquid-Tight Conduit Fittings

- 2-wire, loop-powered 4-20 mA analog output
- Attachment probe, sensor, and 2-wire 4-20 mA signal conditioner
- Compatible with PLCs, meters, data acquisition, and hazard monitoring systems
- No user calibration: works right out of the box
- Integral 1/2" flexible, liquid-tight conduit fittings
- **TT420Z-LT\*** 1/4" stainless steel probe with 1/8" NPT adapter (e.g. grease fitting for bearing temperature)
- **TT420S-LT\*** 3/8-16 threaded stud probe (e.g. belt alignment rub block temperature)
- FM approved, dust ignition-proof
- Class II and III, Div I (E, F, G); NEMA 4

\* Patented design

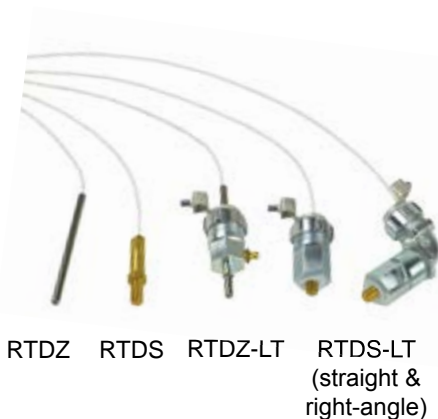


◀ Optional Magnetic Mount (accepts 3/8-16 UNC threads)



◀ Optional Lug Mount Adapter (for S Models)

### RTD Temperature Sensors with RTD Output, with and without Liquid-Tight Conduit Fittings

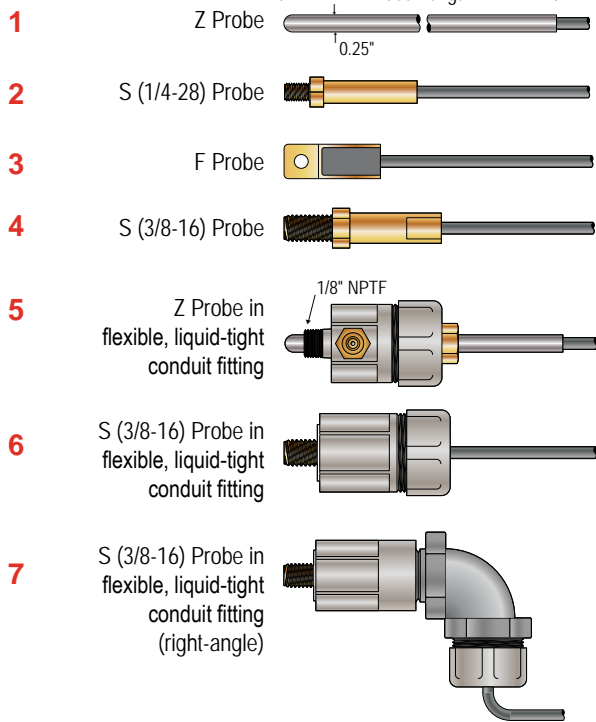


- 3-wire Platinum Pt100 RTD output
- Attachment probe, sensor, and cable
- Compatible with PLCs, meters, data acquisition, and hazard monitoring systems with 3-wire Pt100 RTD inputs
- Integral 1/2" flexible, liquid-tight conduit fittings (RTDZ/S-LT models)
- **RTDZ** – 1/4" stainless steel probe
- **RTDS** – 3/8-16 threaded stud probe
- **RTDZ-LT** – RTDZ with a 1/8 NPT adapter and 1/2" flexible, liquid-tight conduit fitting (e.g. grease fitting for bearing temperature)
- **RTDS-LT** – RTDS with a 1/2" flexible, liquid-tight conduit fitting (e.g. belt alignment rub block temperature)
- Intrinsically Safe (IS) Class I, Div I (A, B, C, D), Class II, Div I (E, F, G) I.S. Simple Apparatus

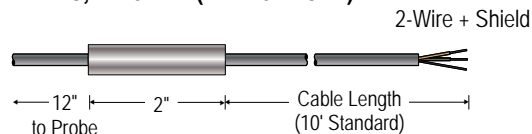
# Temperature Sensor Selector Guide

## Probe, Fitting

## Interface/Signal

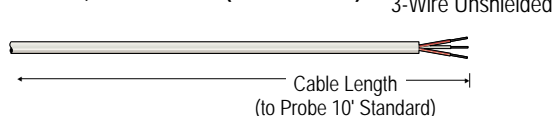


### 2-Wire, 4-20 mA (TT420 Prefix)



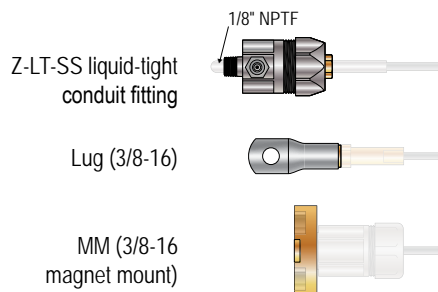
A

### 3-Wire, Pt100 RTD (RTD Prefix)



B

## Accessories



I

II

III

Model	Probe, Fitting	Interface/Signal	Measurement Range	HazLoc Protection & Approvals (NRTL)	Compatible Accessories
TT420Z	1	A	-40→120°C (-40→248°F)	I.S. Class I and II (UL)	I
TT420S (1/4-28)	2	A	-40→120°C (-40→248°F)	I.S. Class I and II (UL)	
TT420F	3	A	-40→120°C (-40→248°F)	I.S. Class I and II (UL)	
TT420S (3/8-16)	4	A	-40→120°C (-40→248°F)		II, III
TT420Z-WT (wide temperature)	1	A	-50→150°C (-58→302°F)		I
TT420Z-LT (1/2 in. c, d)	5	A	-40→120°C (-40→248°F)	DI Class II (FM)	
TT420S-LT (1/2 in. c, straight)	6	A	-40→120°C (-40→248°F)	DI Class II (FM)	II, III, Rub Block/Door
TT420S-LT (1/2 in. c, right-angle)	7	A	-40→120°C (-40→248°F)	DI Class II (FM)	II, III, Rub Block/Door
RTDZ (c, d)	1	B	-50→200°C (-58→392°F)	I.S. Class I and II (*)	I
RTDS (c)	4	B	-50→200°C (-58→392°F)	I.S. Class I and II (*)	II, III
RTDZ-LT (1/2 in. c, d)	5	B	-50→150°C (-58→302°F)	I.S. Class I and II (*)	
RTDS-LT (1/2 in. c, straight)	6	B	-50→150°C (-58→302°F)	I.S. Class I and II (*)	II, III, Rub Block/Door
RTDS-LT (1/2 in. c, right-angle)	7	B	-50→150°C (-58→302°F)	I.S. Class I and II (*)	II, III, Rub Block/Door

\* I.S. simple apparatus (NRTL approval not required)

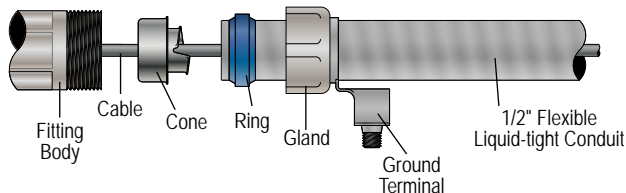
c is cable length (ft), d is Z probe length (in)

Z probes (1, 5) are stainless steel; S probes (2, 4, 6, 7), F probe (3) and MM (3/8-16) magnet mount (III) are brass

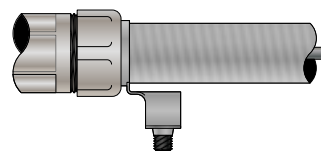
Flexible, liquid-tight conduit fittings (5, 6, 7) are nickel plated steel, Z-LT-SS liquid-tight conduit fitting (I) is stainless steel

Flexible, liquid-tight conduit fittings (5, 6, 7, I) include all hardware for fastening 1/2" flexible, liquid-tight conduit:

5, 6,  
7, I



Disassembled



Assembled





### Electro-Sentry 1 Hazard Monitoring System (ES1)

- Hazard monitor for single-legs and conveyors
- Monitors 1 speed and 12 bearing and/or belt alignment sensors
- All sensor values and alarms are displayed on front panel
- Green, yellow, red LED's for each sensor to display alarms
- Direct interface to Electro-Sensors shaft speed and temperature sensors
- One-button test for all sensors, setpoints, and alarm output relays
- 115, 230 VAC (50-60 Hz)



### Electro-Sentry 16 Hazard Monitoring System (ES16)

- Monitors 16 bearing and/or belt alignment sensors
- All sensor values and alarms are displayed on front panel
- Green, yellow, red LED's for each sensor to display alarms
- Direct interface to Electro-Sensors temperature sensors
- One-button test for all sensors, setpoints, and alarm output relays
- 115, 230 VAC (50-60 Hz)

#### 1 ES1, ES16

#### **BEARING TEMPERATURE MONITORING**

TT420Z-LT (1/2") screws into a 1/8" NPT grease fitting tap and provides a grease fitting for bearing lubrication and a compression fitting for setting probe depth.

#### 2 ES1, ES16

#### **BELT ALIGNMENT MONITORING**

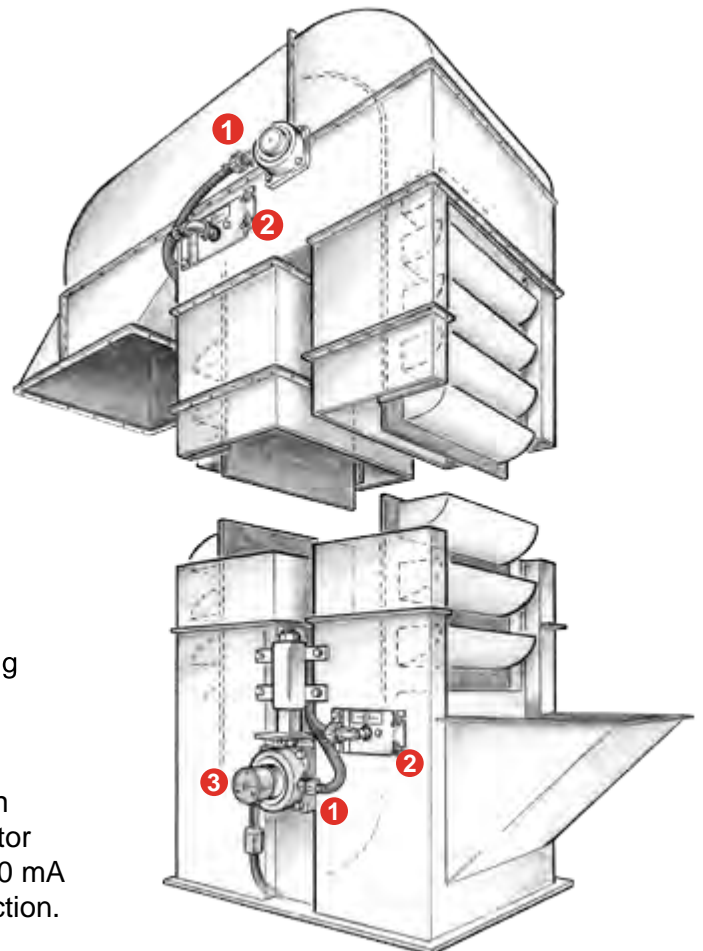
TT420S-LT features a stud mount adapter for easy attachment to rub block door assembly.

#### 3 ES1 Only

#### **SHAFT SPEED MONITORING**

- ST420-DI / ST420-LT dust ignition-proof speed sensor (pictured ST420-DI with EZ-18mm mounting bracket) - 2-wire, loop-powered, 4-20 mA output sensor with FM Class II approval.

- FB420 speed sensor with relay (not pictured) - an explosion proof sensor that mounts onto the elevator tail pulley to measure shaft speed. It outputs a 4-20 mA signal and has a programmable setpoint relay function.





Shown with TT420S-LT  
(right-angle)



Shown with TT420S-LT  
(right-angle)

\* Patent pending  
(adjustable design)



Shown with TT420S-LT  
(right-angle)

### **Rub Block Door Assemblies (3 Models)**

- Provides early warning of conveyor or elevator belt misalignment
- Hinged door allows easy installation and access
- Straightforward installation, new or retrofit
- Facilitates regular, proactive maintenance inspections
- 3 unique door assemblies (hinged, adjustable, and Uni-Strut)
- Protects plant machinery, prevents unscheduled downtime, and aids in the safety of employees

#### **1 Standard Hinged Rub Block Door Assembly**

Designed for installation on most elevators and conveyors and allows for quick and easy inspection of belts and replacement of worn rub blocks saving time and promoting regular maintenance inspections. Standard rub block door assemblies can be installed on new equipment or as a retrofit upgrade.

#### **2 Adjustable Rub Block Door Assembly\***

Designed for installation in difficult to monitor locations such as enclosed conveyors or equipment with frames that interfere with optimum sensor mounting. This assembly has a hinged door with slots for attaching the rub block and sensor. After installation the rub block can be slid approximately one inch into its sensing position so that belt misalignment can be quickly detected at casing joints or inside corners.

#### **3 Uni-Strut Rub Block Door Assembly**

Designed for installation on non-enclosed conveyors, the brass rub block is mounted on the side of the door facing the belt and the Uni-Strut can be directly connected to the other side. This assembly allows easy vertical and horizontal adjustment of the rub block for proper belt misalignment monitoring. No need to fabricate expensive and time consuming custom mounting brackets.

### **BA100 Belt Alignment Switch for Exposed Belts**



- BA100-1 and BA100-1X each have one SPDT limit switch
- BA100-2 and BA100-2X each have two SPDT limit switches
- Roller arm can move up to 90 degrees in either direction and is spring loaded for automatic reset (optional manual reset available)
- Cast aluminum housing standard (BA100-1 and BA100-2)
- Explosion proof cast iron housing optional (BA100-1X and BA100-2X)



## SG1000 Series Position Sensors

SG1000A, SG1000B, SG1000C, SG1000D, SG1000E

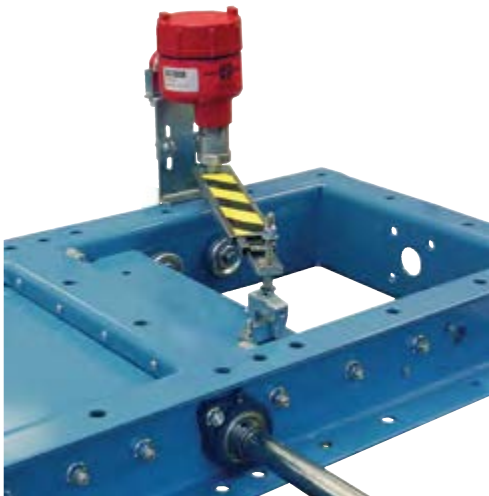
- 5 models provide a wide range of shaft angle and linear position measurement capabilities
- 4-20 mA position output
- User-configurable measurement range
- 24 VDC powered
- Cast aluminum explosion proof (XP) housing
- UL Listed Class I, Div I (C, D) Class II, Div I (E, F, G)



### SG1000A

#### Slide Gate Sensor

- Measures multi-turn shaft angle (rotational) position
- Translates linear position to 4-20 mA output
- Configurable measurement range (0-1/4 turn to 0-6 turns)
- Direct shaft attachment (3/8-16 UNC)
- Applications include electrically/manually-driven rack-and-pinion gates and valves

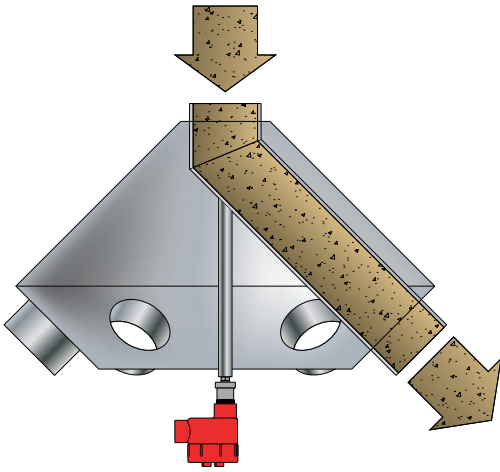


### SG1000B\*

#### Linear Position Sensor

- Measures linear position
- Configurable measurement range
- Telescopic arm attachment (available in various lengths)
- Mounting position tolerant: mathematically compensates for non-linear position/angle relationship
- Applications include pneumatic/hydraulic-driven gates and rack-and-pinion gates with inaccessible pinion shafts

\* Patented (SG1000B and telescopic arm)



Shown on distributor head

### SG1000C

#### Single-Turn Shaft Position Sensor

- Measures shaft angle (rotational) position
- Single-turn ( $0^{\circ}$ -  $359^{\circ}$ ) measurement range
- Direct shaft attachment (3/8-16 UNC)
- Applications include grain distributors

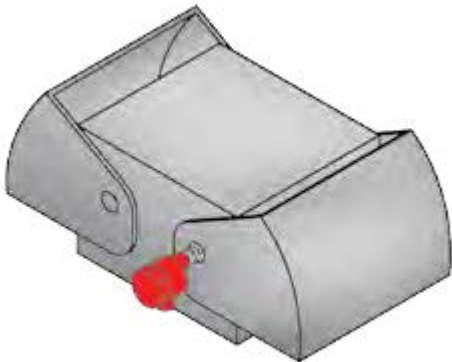


Shown on damper valve

### SG1000D

#### Valve Position Sensor

- Measures shaft angle (rotational) position
- Configurable sub-turn measurement range ( $0^{\circ}$ -  $15^{\circ}$  to  $0^{\circ}$ -  $359^{\circ}$  Note: for applications of  $130^{\circ}$  measurement or less, SG1000E is recommended for higher resolution)
- Direct shaft attachment (3/8-16 UNC)
- Applications include damper valves



Shown on clam shell bucket

### SG1000E

#### Sub-Turn Shaft Position Sensor

- Measures shaft angle (rotational) position
- Configurable sub-turn measurement range ( $0^{\circ}$ -  $5.6^{\circ}$  to  $0^{\circ}$ -  $130^{\circ}$ )
- Direct shaft attachment (3/8-16 UNC)
- Applications include valve shafts and clam shell buckets



### **ION Remote I/O (3 models)**

- **Analog-In** (12 inputs) - Measure up to 12 analog current signals (e.g. 0-20 mA, 4-20 mA) with 1µA resolution.
- **Discrete I/O** (6 inputs, 6 relay outputs) - Read up to 6 binary sensor/switch states (on/off, closed/open, 1/0), write up to 6 FORM A relay output states (open/closed). Inputs are compatible with NPN (sinking) signal sources and mechanical switches.
- **Frequency/Discrete-In** (12 dual-purpose inputs) - Measure up to 12 shaft speeds and/or signal frequencies from pulse-frequency-output sensors with 16 or 32-bit precision, read up to 12 binary sensor/switch states (on/off, closed/open, 1/0) or do any combination of the three. Inputs are individually configurable for NPN (sinking), PNP (sourcing), or push-pull line-driver signal outputs.
- Modbus RTU slave over isolated RS485 network interface, up to 115.2k baud
- Low response message latency ( $\leq 1$  mS) for high Modbus data throughput
- Protected 24 VDC sensor power output on each signal-in terminal block makes sensor wiring easy
- Pluggable terminal blocks
- DIN rail mount
- 24 VDC powered



### **SA420 Digital Signal Conditioner**

- Works with a remote / external pulse frequency output sensor (NPN, PNP, or mag pick-up)
- Accepts a wide range of input frequencies 0.01 Hz to 10 kHz
- 4-20 mA and 0-10 VDC outputs proportional to shaft speed
- Field adjustable calibration
- 115, 230 VAC (50-60 Hz) and 12, 24 VDC power options
- DIN rail mount
- Optional explosion proof enclosure
- Optional NEMA 4, NEMA 4X, or NEMA 12 enclosure kit



### **SpeedTalker-DN(UI) with DeviceNet**

- Works with 1 or 2 remote / external pulse frequency output sensor(s) (shaft speed sensors, proximity sensors or incremental encoders; NPN, PNP, or line driver)
- Provides real-time shaft rotation speed / direction and up to 8 programmable over / under-speed alarms over DeviceNet
- Network powered
- Provides isolated DC sensor power
- 2 dual-purpose inputs may be used to measure 2 speed-only sensors or 1 speed+direction (quadrature output) sensor
- Easily integrates into any DeviceNet network
- ODVA conformance tested
- DIN rail mount



### TR400 Ratemeter

**Full-logic control process ratemeter displays speed and direction of rotating equipment**

- Displays rate or time-in-process
- Detects and converts 0.01 to 4,000 Hz signal input
- Optional relay outputs: 2 or 6
- Optional analog output: 4-20 mA or 0-10 VDC
- Completely field programmable
- Full diagnostic functions
- Single-channel or bidirectional (quadrature) decoding
- Front panel reverse direction indication
- 3 programmable inputs
- Built-in relay test function
- Optional explosion proof enclosure
- Optional NEMA 4X enclosure kit
- 115, 230 VAC (50-60 Hz) and 10-30 VDC power options



### TR5000 Ratemeter

**Full-logic control process ratemeter monitors up to two shafts and displays their relationship**

- Displays rate, time-in-process, ratio, sum, difference, or draw
- Optional relay outputs and/or 4-20 mA analog output
- Completely field programmable
- Full diagnostic functions
- Setpoint and start delay functions
- 3 programmable inputs
- 3 programmable transistor setpoint outputs
- Keypad lockout
- Optional explosion proof enclosure
- Optional NEMA 4X enclosure kit
- 115, 230 VAC (50-60 Hz) and 10-30 VDC power options



### CT6000 Process Counter

**Full-logic control process counter**

- Displays process, batch, total, and rate
- Optional relay outputs and/or 4-20 mA analog output
- Completely field programmable
- Full diagnostic functions
- 3 programmable transistor setpoint outputs and inputs
- Bidirectional (quadrature) counting
- Optional explosion proof enclosure
- Optional NEMA 4X enclosure kit
- 115, 230 VAC (50-60 Hz) and 10-30 VDC power options





← Optional NEMA 4X Enclosure Kit

### AP1000 Digital Tachometer

- Displays rate from 0-9,999 or time-in-process
- Field programmable, panel-mount meter
- Easy-to-read, high efficiency LED display
- Optional explosion proof enclosure
- Optional NEMA 4, NEMA 4X, or NEMA 12 enclosure kit
- 115, 230 VAC (50-60 Hz) and 12, 24 VDC power options



### HH-100 Hand-Held Tachometer

- Measures speed as low as 1 rpm and as high as 99,999 rpm
- Accuracy of 0.02% with a resolution of 0.01 rpm
- Easily converts from non-contact to contact operation with a rugged slide-in adapter
- Non-contact sensing from up to 14" with a beam of light
- Measures user-selected units for rate and length
- Built-in memory stores maximum, minimum, and last reading for recall to the display
- 2-year warranty, NIST certification included



### AC-D-4M Large Display Event Counter

- 2.3" display height
- On-board or remote reset
- Bidirectional (quadrature) counting
- 5,000-hour memory
- Shelf mount
- 12 VDC sensor supply
- Sensor or contact-closure input
- 300 Hz sensor and encoder input



### Accu-Tach and Accu-Dial Potentiometers\*

**Programmable potentiometers with LCD display and feedback display in user units for motor speed control**

- Replace traditional potentiometers
- Precise process control and feedback
- Reduce costly downtime and product waste
- Easy to install and calibrate
- Tough ABS plastic enclosure - NEMA 4 rated
- Small footprint - only 1.95" x 3.10"

\* Patented (both models)

NEMA 4X  
Model



Explosion  
Proof  
Model

### VS1 / VS2 Vibration Monitors

- **VS1** protects against excessive vibration levels
- **VS2** is ideal for use on deliberately vibrating machinery
- Adjustable setpoint
- Adjustable setpoint delay prevents false shutdowns
- Settable RMS vibration velocity alarm trip-point and delay time
- LED's provide an instant view of machine status
- Isolated SPDT relay output or transistor output
- 24 VDC (18-30 VDC) powered



### MTS Tilt Switch and SCU-200 Control Unit

- Detects the presence or absence of bulk material
- Standard enclosure is NEMA 12 with indicator lights
- NEMA 4 and intrinsically safe enclosures available
- Rugged heliarc-welded steel probes
- Use with SCU-200 for complete monitoring system



### MS320 Closed-Loop Motor Drive Speed Controller

Master and ratio-follower modes and programmable input functions. Options include analog speed feedback input, analog setpoint inputs, and relay outputs. Works with incremental shaft encoders and pulse-frequency output shaft speed sensors. Optional explosion proof enclosure or NEMA 4X enclosure kit.



### MS332 Closed-Loop Motor Drive Speed Controller

Modes include zero-cumulative-error ratio-follower (electronic gearing) and zero-cumulative-error index-follower (mechanical event/phase synchronization). Features include forward-only and forward/reverse settings for uni/bidirectional control, multiple setpoints and many programmable contact-closure input and NPN output functions. Builds numerous machine synchronizing/follower processes. Works with quadrature incremental shaft encoders (all modes) and proximity, photo-eye, and other presence/event sensors (index-follower mode). Optional explosion proof enclosure or NEMA 4X enclosure kit.



ELECTRO-SENSORS INC.  
CORPORATE OFFICE



6111 Blue Circle Drive • Minnetonka, MN 55343  
phone: 952-930-0100 • toll free: 800-328-6170 • fax: 952-930-0130  
web: [electro-sensors.com](http://electro-sensors.com) • email: [sales@electro-sensors.com](mailto:sales@electro-sensors.com)