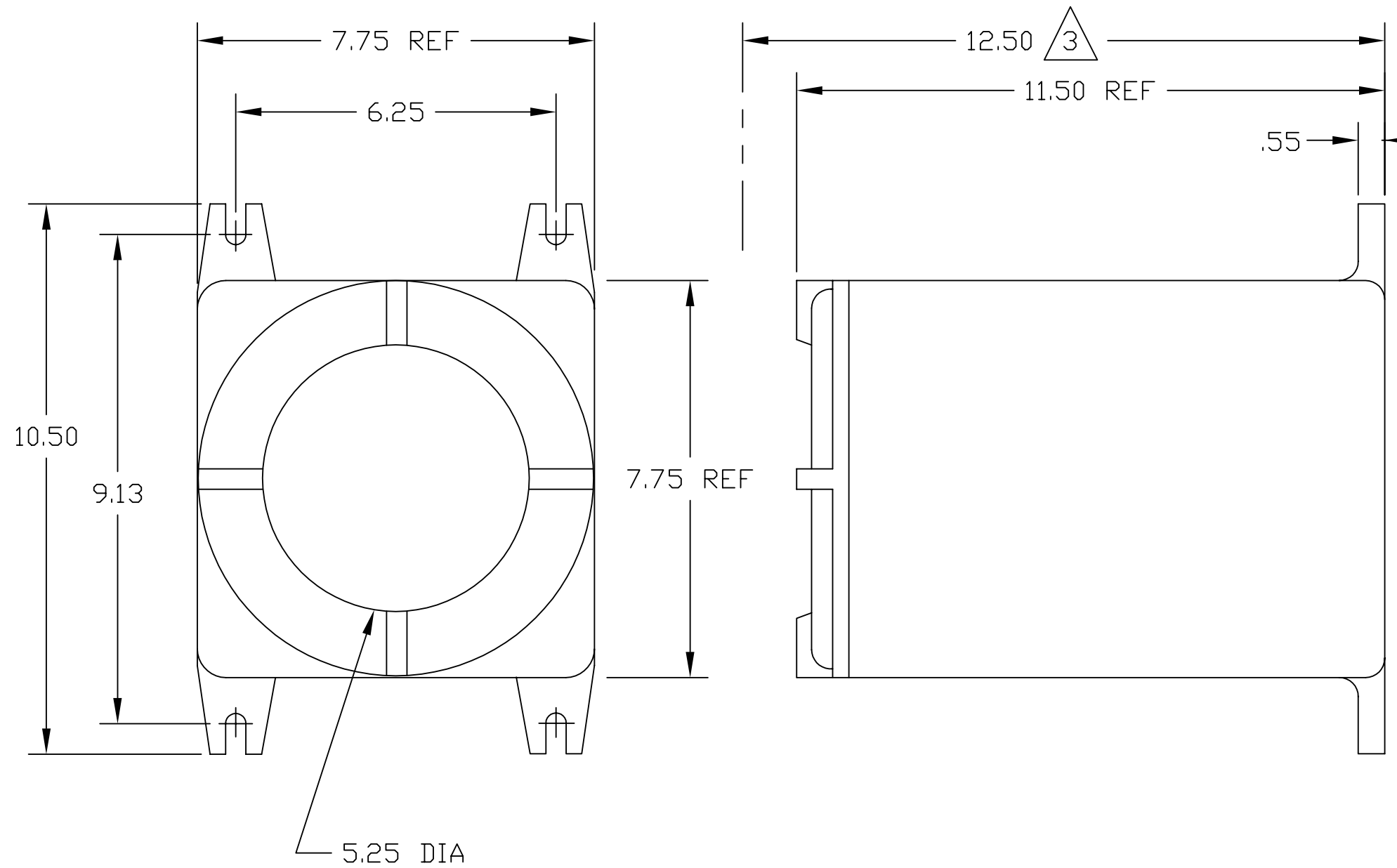



| REVISIONS | | | | |
|-----------|-----|----------------------------|----------|----------|
| REV | ECD | DESCRIPTION | DATE | APPROVED |
| B | 580 | REVISED CLASS NOTE LISTING | 12-10-00 | |



- △3 MINIMUM DISTANCE RUIRED TO REMOVE COVER FROM ENCLOSURE.
- △2 MATERIAL: CAST ALUMINUM.
- ENCLOSURE IS EXP. PROOF, AND DUST TIGHT. CL. I. GROUP C, D; CL. II GROUPS E, F, & G; CL. III. NEMA 7 AND 9. MAX CONDUIT SIZE IS 2".

NOTES:

| UNLESS OTHERWISE SPECIFIED REMOVE ALL BURRS & SHARP EDGES. DIMENSIONS ARE IN INCHES TOLERANCE ON | DRAWN BY D.S. | DATE 8/7/79 |  MTKA, MINN. THIS DOCUMENT IS THE PROPERTY OF ELECTRO-SENSORS, INC. AND CAN NOT BE DUPLICATED OR DISTRIBUTED WITHOUT THE WRITTEN CONSENT OF ELECTRO-SENSORS, INC. | TITLE HOUSING, METER XP 11.500 DEEP | | | | | | | | |
|---|--|----------------|--|---|-------------|---|------------------------------|-----|----------------------|----------------|---------------|-----------|
| | <table border="1"> <thead> <tr> <th>FRACTIONS</th> <th>DECIMALS</th> <th>ANGLES</th> </tr> </thead> <tbody> <tr> <td>±</td> <td>.X±1 .XX±.05 .XXX±.005</td> <td>±2'</td> </tr> </tbody> </table> | FRACTIONS | | DECIMALS | ANGLES | ± | .X±1 .XX±.05 .XXX±.005 | ±2' | CHECKED BY T.E.B. | DATE 8/7/79 | SCALE NONE | SIZE B |
| FRACTIONS | DECIMALS | ANGLES | | | | | | | | | | |
| ± | .X±1 .XX±.05 .XXX±.005 | ±2' | | | | | | | | | | |
| MATERIAL △2 | FINISH | | DO NOT SCALE DWG. | | SHT. 1 OF 1 | | | | | | | |