

Features

- Wireless connection to HazardPRO System Manager
- Easily mount where sensors are located
- Reduced Costs / Faster Installations
- No conduit needed
- ETL approved
- 5+ Year battery life on wireless nodes



Class II Div. 2 Node



Class II Div. 1 Node

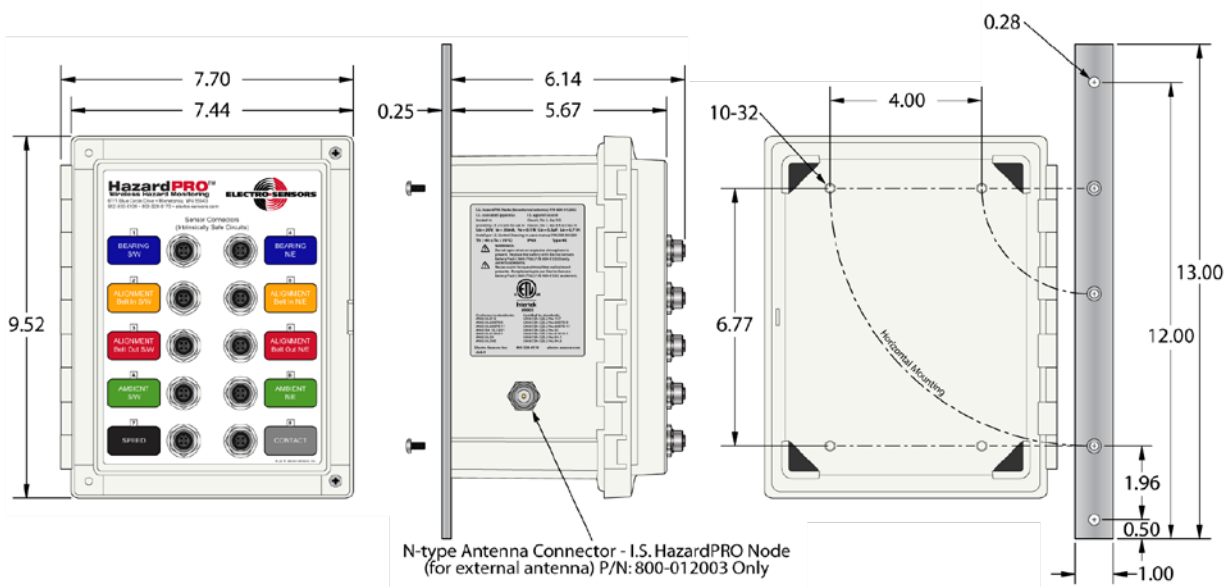
Description

The HazardPRO Node provides Intrinsically Safe (I.S.) wireless monitoring for up to 10 sensors per node. The Node is integrated into a wireless network that relays information back to a central computer (System Manager). The system is wireless thus allowing reduced costs and faster installations.

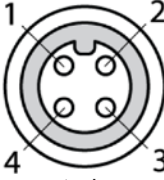
Application

Wireless Nodes are independantly powered and can be mounted in almost any location near to the monitored Sensors. The nodes then send all recorded information to a System Manager via wireless signal. Once the System Manager processes the machine data it tracks and monitors the performance of your facility.

Dimensions



Node Approvals and Specifications

Specifications	
Power Source	Battery (7VDC)
Radio (internal)	2.4GHz, 802.15.4
Operating Temperature	-40°C → +75°C -40°F → +167°F
Antenna connector	N-type female, 50Ω I.S. HazardPRO Node (for ext. antenna) P/N 800-012003
Battery service life	5+ years (typ.) Replace with Electro-Sensors Battery Pack (19Ah 7Vdc) P/N 800-012020
Cable Connector	M12, 4-pin  pin 2 (+) pin 4 (-) pin 1 (N.C.) pin 3 (N.C.) N.C. = not connected
Enclosure Material	Polycarbonate
Enclosure Ratings	IP 65, NEMA 4X

Specifications subject to change without notice.

Div. 1 Node Approvals

HazardPRO™ Node

- Intrinsically Safe (I.S.) apparatus located in:
 - Class II, Div 1, Groups E, F, G; Class III, Div 1
- Providing Intrinsically Safe (I.S.) circuits for use in:
 - Class II, Div 1, Groups E, F, G; Class III, Div 1

HazardPRO™ Sensors

- Intrinsically Safe (I.S.) for use in:
 - Class II, Div 1, Groups E, F, G
 - Class III Div 1



Div. 2 Node Approvals

HazardPRO™ Node

- Intrinsically Safe (I.S.) associated apparatus for use in:
 - Class II, Div 2, Groups F,G
- Providing Intrinsically Safe (I.S.) circuits for use in:
 - Class II, Div 1, Groups E, F, G; Class III, Div 1

HazardPRO™ Sensors

- Intrinsically Safe (I.S.) for use in:
 - Class II, Div 1, Groups E, F, G
 - Class III Div 1



Customization

HazardPRO Nodes are designed to give you the best monitoring option for your facility. HazardPRO systems provide you with flexibility and ease of installation. With HazardPRO systems you can expect your system to be installed in days not weeks or months that conduit based systems take.

Additional Information

For more information about HazardPRO Wireless Nodes please contact us at:

Email: sales@electro-sensors.com

Tel: (800)328-6170

Fax: (952)930-0130

We also have information online at:

www.electro-sensors.com